



# Tests for mechanical and physical properties of aggregates —

## Part 2: Methods for the determination of resistance to fragmentation

The European Standard EN 1097-2:1998 has the status of a British Standard

ICS 91.100.20

## National foreword

This British Standard is the English language version of EN 1097-2:1998. It is included in a package of European Standards declared by CEN/TC 154 and it will supersede BS 812-110:1990, BS 812-111:1990 and BS 812-112:1990 which, it is intended, will be withdrawn on 1999-12-01 if all the European Standards included in the package are available.

The UK participation in its preparation was entrusted by Technical Committee B/502, Aggregates, to Subcommittee B/502/6, Test methods, which has the responsibility to:

- aid enquirers to understand the text;
- present to the responsible European committee any enquiries on the interpretation, or proposals for change, and keep the UK interests informed;
- monitor related international and European developments and promulgate them in the UK.

A list of organizations represented on this committee can be obtained on request to its secretary.

### Cross-references

The British Standards which implement international or European publications referred to in this document may be found in the BSI Standards Catalogue under the section entitled “International Standards Correspondence Index”, or by using the “Find” facility of the BSI Standards Electronic Catalogue.

A British Standard does not purport to include all the necessary provisions of a contract. Users of British Standards are responsible for their correct application.

**Compliance with a British Standard does not of itself confer immunity from legal obligations.**

### Summary of pages

This document comprises a front cover, an inside front cover, the EN title page, pages 2 to 18, an inside back cover and a back cover.

### Amendments issued since publication

Amd. No.	Date	Text affected

This British Standard, having been prepared under the direction of the Sector Board for Building and Civil Engineering, was published under the authority of the Standards Board and comes into effect on 15 September 1998

© BSI 1998

ISBN 0 580 30074 9

ICS 91.100.20

Descriptors: aggregates, tests, physical properties, mechanical properties, mechanical strength, fragmentation

English version

## Tests for mechanical and physical properties of aggregates — Part 2: Methods for the determination of resistance to fragmentation

Essais pour déterminer les caractéristiques  
mécaniques et physiques des granulats —  
Partie 2: Méthodes pour la détermination de la  
résistance à la fragmentation

Prüfverfahren für mechanische und physikalische  
Eigenschaften von Gesteinskörnungen —  
Teil 2: Verfahren zur Bestimmung des widerstandes  
gegen Zertrümmerung

This European Standard was approved by CEN on 25 March 1998.

CEN members are bound to comply with the CEN/CENELEC Internal Regulations which stipulate the conditions for giving this European Standard the status of a national standard without any alteration. Up-to-date lists and bibliographical references concerning such national standards may be obtained on application to the Central Secretariat or to any CEN member.

This European Standard exists in three official versions (English, French, German). A version in any other language made by translation under the responsibility of a CEN member into its own language and notified to the Central Secretariat has the same status as the official versions.

CEN members are the national standards bodies of Austria, Belgium, Czech Republic, Denmark, Finland, France, Germany, Greece, Iceland, Ireland, Italy, Luxembourg, Netherlands, Norway, Portugal, Spain, Sweden, Switzerland and United Kingdom.

**CEN**

European Committee for Standardization  
Comité Européen de Normalisation  
Europäisches Komitee für Normung

**Central Secretariat: rue de Stassart 36, B-1050 Brussels**

## Foreword

This European Standard has been prepared by Technical Committee CEN/TC 154, Aggregates, the Secretariat of which is held by BSI.

This standard forms part of a series of tests for mechanical and physical properties of aggregates. Test methods for other properties of aggregates will be covered by parts of the following European Standards:

EN 932, *Tests for general properties of aggregates.*

EN 933, *Tests for geometrical properties of aggregates.*

EN 1367, *Tests for thermal and weathering properties of aggregates.*

EN 1744, *Tests for chemical properties of aggregates.*

prEN 13179, *Tests for filler aggregate used in bituminous bound fillers.*

The other parts of EN 1097 will be:

EN 1097-1, *Tests for mechanical and physical properties of aggregates — Part 1: Determination of the resistance to wear (micro-Deval).*

EN 1097-3, *Tests for mechanical and physical properties of aggregates — Part 3: Determination of loose bulk density and voids.*

prEN 1097-4, *Tests for mechanical and physical properties of aggregates — Part 4: Determination of the voids of dry compacted filler.*

prEN 1097-5, *Tests for mechanical and physical properties of aggregates — Part 5: Determination of the water content by drying in a ventilated oven.*

prEN 1097-6, *Tests for mechanical and physical properties of aggregates — Part 6: Determination of particle density and water absorption.*

prEN 1097-7, *Tests for mechanical and physical properties of aggregates — Part 7: Determination of the particle density of filler — Pycnometer method.*

prEN 1097-8, *Tests for mechanical and physical properties of aggregates — Part 8: Determination of the polished stone value.*

EN 1097-9, *Tests for mechanical and physical properties of aggregates — Part 9: Method for the determination of the resistance to wear by abrasion from studded tyres: Nordic test.*

prEN 1097-10, *Tests for mechanical and physical properties of aggregates — Part 10: Water suction height.*

This European Standard shall be given the status of a national standard, either by publication of an identical text or by endorsement, at the latest by October 1998, and conflicting national standards shall be withdrawn at the latest by December 1999.

According to the CEN/CENELEC Internal Regulations, the national standards organizations of the following countries are bound to implement this European Standard: Austria, Belgium, Czech Republic, Denmark, Finland, France, Germany, Greece, Iceland, Ireland, Italy, Luxembourg, Netherlands, Norway, Portugal, Spain, Sweden, Switzerland and the United Kingdom.

## Contents

	Page
Foreword	2
1 Scope	3
2 Normative references	3
3 Definitions	3
4 Apparatus	3
5 Determination of resistance to fragmentation by the Los Angeles test method	5
5.1 Principle	5
5.2 Preparation of the sample for testing	5
5.3 Test procedure	5
5.4 Calculation and expression of results	5
5.5 Test report	5
6 Determination of resistance to fragmentation by the impact test method	5
6.1 Principle	5
6.2 Preparation of the sample for testing	5
6.3 Test procedure	6
6.4 Calculation and expression of results	6
6.5 Test report	6
Annex A (informative) Alternative narrow range classifications	7
Annex B (informative) The impact tester: constructional, operational and safety requirements	7
Annex C (informative) Checking of the impact tester	15
Annex D (informative) Precision	17
Annex E (informative) Worked example of calculation of impact value, SZ	17
Annex F (informative) Bibliography	18

## 1 Scope

This European Standard specifies procedures for the determination of the resistance of coarse aggregate to fragmentation. Two methods are defined:

- a) the Los Angeles test (reference method);
- b) the impact test (alternative method).

NOTE The impact test can be used as an alternative to the Los Angeles test but a correlation with the Los Angeles test should first be established to avoid double testing and ensure mutual recognition of results. The Los Angeles test (reference method) should be used in cases of dispute.

This European Standard applies to natural or artificial aggregates used in building and civil engineering.

## 2 Normative references

This European Standard incorporates by dated or undated reference, provisions from other publications. These normative references are cited at the appropriate places in the text and the publications are listed hereafter. For dated references, subsequent amendments to or revisions of any of these publications apply to this European Standard only when incorporated in it by amendment or revision. For undated references, the latest edition of the publication referred to applies.

EN 932-1:1996, *Tests for general properties of aggregates — Part 1: Methods for sampling.*

prEN 932-2, *Tests for general properties of aggregates — Part 2: Methods for reducing laboratory samples.*

prEN 932-5, *Tests for general properties of aggregates — Part 5: Common equipment and calibration.*

EN 933-1:1997, *Tests for geometrical properties of aggregates — Part 1: Determination of particle size distribution — Sieving method.*

EN 933-2: 1995, *Tests for geometrical properties of aggregates — Part 2: Determination of particle size distribution — Test sieves, nominal size of apertures.*

prEN 1097-6, *Tests for mechanical and physical properties of aggregates — Part 6: Determination of particle density and water absorption.*

EN 10025:1993, *Hot rolled products of non-alloy structural steels — Technical delivery conditions (includes amendment A1:1993).*

## 3 Definitions

For the purposes of this standard the following definitions apply.

### 3.1

#### Los Angeles coefficient, *LA*

the percentage of the test portion passing a 1,6 mm sieve after completion of the test

### 3.2

#### impact value

the value *SZ* which gives a measure of the resistance of aggregates to dynamic crushing; it is equal to one fifth of the sum of the mass percentages of the tested sample passing through five specified test sieves when tested in accordance with clause 6

### 3.3

#### test specimen

the sample used in a single determination when a test method requires more than one determination of a property

### 3.4

#### test portion

the sample used as a whole in a single test

### 3.5

#### laboratory sample

a reduced sample derived from a bulk sample for laboratory testing

### 3.6

#### constant mass

successive weighings after drying at least 1 h apart not differing by more than 0,1 %

NOTE In many cases constant mass can be achieved after a test portion has been dried for a pre-determined period in a specified oven (see 4.1.3) at  $(110 \pm 5)$  °C. Test laboratories may determine the time required to achieve constant mass for specific types and sizes of sample dependent upon the drying capacity of the oven used.

## 4 Apparatus

Unless otherwise stated, all apparatus shall conform to the general requirements of prEN 932-5.

### 4.1 General apparatus

4.1.1 *Test sieves*, conforming to EN 933-2 with aperture sizes as specified in Table 1.

4.1.2 *Balance*, capable of weighing the test portion to an accuracy of 0,1 % of the mass of the test portion.

4.1.3 *Ventilated oven*, controlled to maintain a temperature of  $(110 \pm 5)$  °C.

Table 1 — Test sieves

Test	Aperture size mm
Los Angeles	1,6 10 11,2 (or 12,5) 14
Impact test (see NOTE)	0,2 0,63 2 5 8 10 11,2 12,5

NOTE For the impact test, because of the tolerances in the sieve openings, the same 8 mm test sieve used for the preparation of the test portion should again be used for the evaluation of the test.

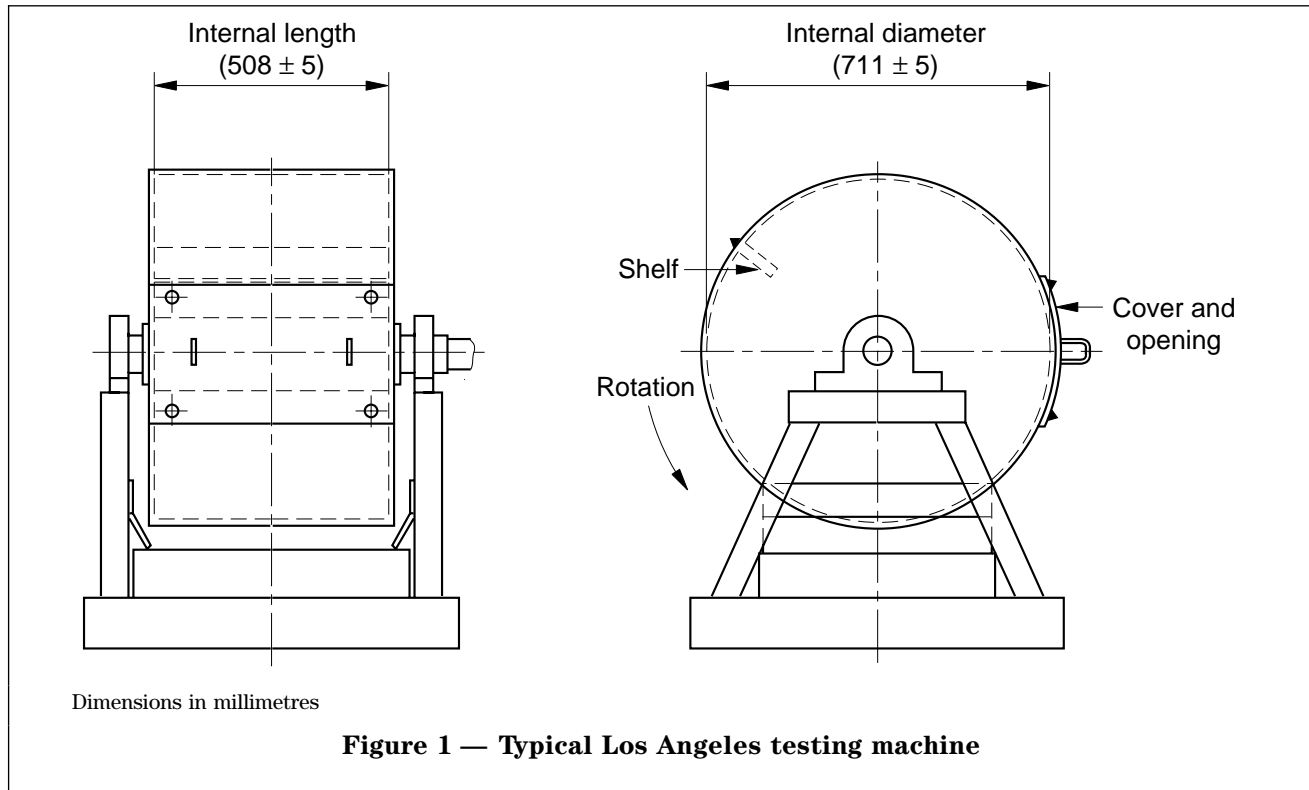


Figure 1 — Typical Los Angeles testing machine

**4.2 Additional apparatus required for the determination of resistance to fragmentation by the Los Angeles test method**

**4.2.1** *Equipment, for reducing the laboratory sample to a test portion, as described in prEN 932-2.*

**4.2.2** *Los Angeles test machine, comprising the following essential parts.*

NOTE An example of a machine that has been found to be satisfactory is shown in Figure 1.

**4.2.2.1** *Hollow drum, made of structural steel plate ( $12^{+1}_{-0,5}$ ) mm thick conforming to grade S275 of EN 10025:1993 which has been selected to be formed without undue stress, and can be welded without significant distortion. The drum shall be closed at both ends. It shall have an internal diameter of  $(711 \pm 5)$  mm and an internal length of  $(508 \pm 5)$  mm. The drum shall be supported on two horizontal stub axles fixed to its two end walls but not penetrating inside the drum; the drum shall be mounted so that it rotates about a horizontal axis.*

An opening ( $150 \pm 3$ ) mm wide shall be provided, preferably over the whole length of the drum, to facilitate insertion and removal of the sample after the test. During the test, the opening shall be sealed so that it is dustproof, by using a removable cover which enables the inside surface to remain cylindrical.

The cylindrical inner surface shall be interrupted by a projecting shelf, placed between 380 mm and 820 mm from the nearest edge of the opening. The distance shall be measured along the inside of the drum in the direction of rotation. The shelf shall have a rectangular

cross-section (length equal to that of the drum, width  $(90 \pm 2)$  mm, thickness  $(25 \pm 1)$  mm) and it shall be placed in a diametrical plane, along a generating line, and shall be rigidly fixed in place.

The shelf shall be replaced when its width at any point wears to less than 86 mm and, its thickness at any point along the front edge, wears to less than 23 mm.

The base of the machine shall be supported directly on a level concrete or stone block floor.

NOTE The removable cover should be made of the same steel as the drum. The projecting shelf should be made of the same steel or a harder grade.

**4.2.2.2** *Ball load, consisting of 11 spherical steel balls, each with a diameter of between 45 mm and 49 mm (see annex A). Each ball shall weigh between 400 g and 445 g, and the total load shall weigh between 4 690 g and 4 860 g.*

NOTE The nominal mass of the charge with new balls is 4 840 g. A positive tolerance of 20 g allows for manufacturing variation and a negative tolerance of 150 g allows for ball wear in use.

**4.2.2.3** *Motor; imparting a rotational speed to the drum of between 31 r/min and 33 r/min.*

**4.2.2.4** *Tray, for recovering the material and the ball load after testing.*

**4.2.2.5** *Revolution counter; which will automatically stop the motor after the required number of revolutions.*

### 4.3 Additional apparatus required for the determination of resistance to fragmentation by the impact test method

4.3.1 *Impact tester*, see annex B.

4.3.2 *Equipment for testing the accuracy of the impact tester*, see annex C.

NOTE Annexes B and C are informative and do not contain any normative provisions for the application of this European Standard. However, it is strongly recommended that all the informative provisions of these annexes are observed when carrying out the test specified in clause 6.

4.3.3 *Brush and bowls*.

## 5 Determination of resistance to fragmentation by the Los Angeles test method

### 5.1 Principle

A sample of aggregate is rolled with steel balls in a rotating drum. After rolling is complete, the quantity of material retained on a 1,6 mm sieve is determined.

### 5.2 Preparation of the sample for testing

The mass of the sample sent to the laboratory shall have at least 15 kg of particles in the 10 mm to 14 mm size range.

The test shall be carried out on aggregate passing the 14 mm test sieve and retained on the 10 mm test sieve. In addition, the grading of the test portion shall comply with one of the following requirements:

- a) between 60 % and 70 % passing a 12,5 mm test sieve; or
- b) between 30 % and 40 % passing a 11,2 mm test sieve.

NOTE The additional grading requirements allow the test portion to be created from product sizes other than 10/14 (see annex A). Sieve the laboratory sample using the 10 mm, 11,2 mm (or 12,5 mm) and 14 mm test sieves to give separate fractions in the ranges 10 mm to 11,2 mm (or 12,5 mm) and 11,2 mm (or 12,5 mm) to 14 mm. Wash each fraction separately, in accordance with clause 6 of EN 933-1:1997, and dry them in the oven at  $(110 \pm 5)^\circ\text{C}$  to constant mass.

Allow the fractions to cool to ambient temperature. Mix the two fractions to provide a modified 10 mm to 14 mm laboratory sample which complies with the appropriate additional grading requirement given above.

Reduce the modified laboratory sample prepared from the mixed fractions to test portion size in accordance with prEN 932-2. The test portion shall have a mass of  $(5\,000 \pm 5)$  g.

### 5.3 Test procedure

Check that the drum is clean before loading the sample. Carefully place the balls in the machine, then the test portion. Replace the cover and rotate the machine for 500 revolutions, at a constant speed between 31 r/min and 33 r/min.

Pour the aggregate into a tray placed under the apparatus, taking care that the opening is just above the tray in order to avoid losing any material. Clean

out the drum, removing all fines, paying particular attention around the projecting shelf. Carefully remove the ball load from the tray, taking care not to lose any aggregate particles.

Analyse the material from the tray in accordance with EN 933-1:1997 by washing and sieving using a 1,6 mm sieve. Dry the portion retained on the 1,6 mm sieve at a temperature of  $(110 \pm 5)^\circ\text{C}$  until a constant mass is achieved.

### 5.4 Calculation and expression of results

Calculate the Los Angeles coefficient (*LA*), from the following equation:

$$LA = \frac{5\,000 - m}{50}$$

where

*m* is the mass retained on a 1,6 mm sieve, in grams (g).

Report the result to the nearest whole number.

NOTE A statement on the precision of the Los Angeles test is given in annex D.

### 5.5 Test report

The test report shall affirm that the Los Angeles test was carried out in accordance with this standard. It shall include the following information:

- a) name and origin of sample;
- b) size fractions from which the test portion was obtained;
- c) Los Angeles coefficient (*LA*).

## 6 Determination of resistance to fragmentation by the impact test method

### 6.1 Principle

The impact value *SZ*, gives a measure of the mechanical resistance of aggregates. The grain size fraction 8 mm to 12,5 mm is crushed in the testing machine by 10 blows from a height of 370 mm. The degree of crushing is measured by sieve analysis using five specified test sieves.

### 6.2 Preparation of the sample for testing

6.2.1 A laboratory sample shall be obtained in accordance with EN 932-1. The sample shall contain at least 5 kg of the size fraction 8 mm to 10 mm and 2,5 kg of each of the size fractions 10 mm to 11,2 mm and 11,2 mm to 12,5 mm.

6.2.2 A quantity of the size fractions 8 mm to 10 mm, 10 mm to 11,2 mm and 11,2 mm to 12,5 mm sufficient for at least three test specimens (see 6.2.3 and 6.2.4) shall be prepared from the laboratory sample using the sieves specified in 4.1.1. This quantity shall be washed and dried at  $(110 \pm 5)^\circ\text{C}$  to constant mass and left to cool to between  $15^\circ\text{C}$  and  $35^\circ\text{C}$ .



**6.2.3** For the impact test, material for at least three test specimens shall be recombined as follows and three test specimens shall be tested (see **6.2.4**). The test specimens shall be composed of 50 % of the size fraction 8 mm to 10 mm, 25 % of the size fraction 10 mm to 11,2 mm and 25 % of the size fraction 11,2 mm and 12,5 mm and be weighed to the nearest 0,5 g. The three fractions shall be mixed thoroughly prior to weighing of the test specimen as described in **6.2.4**.

**6.2.4** The mass of the test specimen in kilograms shall be 0,5 times the value of the particle density in megagrams per cubic metre as determined in accordance with prEN 1097-6 on a sample composed as specified in **6.2.3**.

If this particle density is known from previous tests, that result can be used.

For each test specimen the quantities, in kilograms, are:

- a) size fraction: 8 mm to 10 mm = 0,25 times the particle density;
- b) size fraction: 10 mm to 11,2 mm = 0,125 times the particle density;
- c) size fraction: 11,2 mm to 12,5 mm = 0,125 times the particle density.

The mass of a test specimen prior to the testing shall not differ by more than 1 % from the nominal mass.

### 6.3 Test procedure

**6.3.1** The test specimen shall be poured into the mortar of the impact test machine and its surface roughly evened by hand without jiggling. The pestle shall be pressed by the corresponding device onto the test specimen and the hammer lifted up to a height of 370 mm. The test specimen shall then be subjected to 10 blows by the hammer.

**6.3.2** After the blows, lift up the pestle and take the mortar out of the apparatus. Then pass the crushed sample carefully into a bowl. Any fine particles adhering to the mortar shall be swept into the bowl with the brush and the test specimen shall subsequently be weighed.

**6.3.3** The crushed test specimen shall be sieved in accordance with EN 933-1:1997 on the following five sieves specified in **4.1.1**, starting with the 8 mm test sieve.

0,2 mm; 0,63 mm; 2 mm; 5 mm; 8 mm.

The fraction retained on the five test sieves and the pan shall be weighed to the nearest 0,5 g.

**6.3.4** If the total mass of the test specimen after sieving differs from the original mass by more than 0,5 %, the impact test shall be carried out on a further test specimen.

### 6.4 Calculation and expression of results

Express the mass retained on each of the five test sieves and on the pan, for each test specimen, as a percentage of the mass of the test specimen before testing. Calculate from this the percentage masses passing the five sieves.

Add the percentage masses passing each of the five test sieves to give the sum of percentage masses  $M$ .

Calculate the impact value  $SZ$  from the following formula:

$$SZ = M/5 \% \text{ (See clause 3 and the worked example given in annex E).}$$

where

$M$  is the sum of each of the percentages of the mass passing each of the five test sieves.

NOTE A statement on the precision of the impact test is given in annex D.

### 6.5 Test report

The test report shall confirm that the test was carried out in accordance with this standard. It shall include the following information:

- a) name and origin of sample;
- b) size fractions from which the test portion was obtained;
- c) particle density of the size fraction 8 mm to 12,5 mm rounded to 0,01 Mg/m<sup>3</sup> and determined in accordance with prEN 1097-6;
- d) test result (impact value  $SZ$ , results of single test specimens rounded to 0,01 % and mean value rounded to 0,1 %.)

## Annex A (informative)

### Alternative narrow range classifications for the Los Angeles test

The following variations to the reference test (see 5.2) may provide additional information for certain end uses.

The narrow range classifications set out in Table A.1 can be used.

Use test sieves of the appropriate size to match the range classification, instead of those defined in 4.1.1 and 5.2.

Table A.1 — Alternative narrow range classifications

Range classification mm	Number of balls	Mass of ball load g
4 to 8	8	3 410 to 3 540
6,3 to 10	9	3 840 to 3 980
8 to 11,2	10	4 260 to 4 420
11,2 to 16,00	12	5 120 to 5 300

## Annex B (informative)

### The impact tester: construction, operational and safety requirements

#### B.1 General

All dimensions are in millimetres.

For general tolerances, accuracy grade “m” as specified in ISO 2768-1 and ISO 2768-2.

#### B.2 Construction

The structural elements of the impact tester involved in the impact test are shown in Figure B.1.

The impact tester consists of four subassemblies:

- lifting device, consisting of drop hammer, guides, lifting and drive motor, counters (see B.3);
- holder, consisting of pestle and mortar with automatic contact pressure and adjustment device (see B.4);
- anvil (see B.5);
- base and dampers (see B.6).

B.3 to B.6 describe the mode of operation, dimensioning, material quality, surface quality and surface hardness of the subassemblies.

All movements should be along the common axis of the drop hammer, pestle, mortar and anvil. The drop hammer and the mortar contact pressure device should have a common guide (see Figure B.2) which should be adjusted into a vertical position when the impact tester is set up (see also B.4.2).

For this construction, the following characteristic values (arithmetic means of 10 impacts) should be adhered to for the impact with a hammer drop height of 400 mm:

$$\begin{aligned} \text{impact force } F_{\max} &= (830 \pm 60) \text{ kN} \\ \text{pulse } P &= \int \delta F \times dt = (240 \pm 25) \text{ N} \times \text{s} \\ \text{pulse duration } t &= (510 \pm 20) \text{ ms} \end{aligned}$$

For checking of the impact tester, see B.8.

#### B.3 Lifting device

The lifting device consists of a drop hammer, guides, lifting and drive motor and counters.

##### B.3.1 Drop hammer

The drop hammer shown in Figure B.3, consisting of a shaft and head, is a cylindrical impact member with a slenderness ratio of approximately 4:1. It has a replaceable head tapering towards the impact surface. The contact surface between shaft and head should be finished in such a way that it forms at least 80 % of the total area. The shaft and head should be braced by means of four bolts with waisted shank (see Figure B.3) in such a way that no load is removed from the bolts during the impact.

The drop hammer parts should be manufactured from the following materials:

- the shaft from case hardened steel 20 MnCr 5 as specified in ISO 683-11;

NOTE 1 Hardening method; case hardened depth not less than 1 mm; required surface hardness: 54 HRC to 56 HRC (as specified in EN 10109-1).

NOTE 2 Heat treatment for case hardening; as specified in ISO 683-11.

- The head from tool steel 60 WCrV 7 as specified in ISO 4957; Rockwell hardness after quenching and tempering in the middle and on the edge of the impact surface: 54 HRC to 56 HRC (as specified in EN 10109-1).

See also B.8 and annex C.

##### B.3.2 Guides

After the structural elements have been adjusted, the drop hammer should fall in “free” fall. The replaceable side guide rails shown in Figure B.4 secure the drop hammer in its guide grooves. The arrangement of the guide grooves ensures a low degree of friction and good stability. The guide rails should be made of bright non-alloy steel St 52-3 (material number 1.0570) as specified in EN 10025.

### B.3.3 Lifting and drive motor, counters

The lifting motor raises the drop hammer to the required position. The drop height, calculated from the bottom edge of the drop hammer to the dome of the pestle should be capable of being set from 200 mm to 500 mm at intervals of 1 mm.

The drop height should be corrected automatically by the drive motor by the amount the specimen is compressed by the impact so that the drop height is constant to within 2,0 mm over the duration of the whole test.

Two electric counters should record the number of impacts. One of the counters should disconnect the lifting motor after the desired number of impacts and the second counter should record the total number of impacts.

### B.4 Sample holder

The holder, consisting of pestle and mortar, should be positioned between the drop hammer and the anvil during the impact test. Whereas the mortar forms an interference fit with the anvil, the pestle should be pressed against the specimen in the mortar by the contact pressure device via springs.

#### B.4.1 Mortar

The mortar as shown in Figure B.5 should be made of the same case hardening steel as the shaft of the drop hammer (see B.3.1). It should have a flat, non-recessed ground support with a Rockwell hardness of 54 HRC to 56 HRC (as specified in EN 10109-1). The smaller surface for holding the specimen inside the mortar thus experiences uniform contact pressure with the anvil face.

#### B.4.2 Pestle

The pestle as shown in Figure B.6 should be made of the same steel as the drop hammer head (see B.3.1) and should be quenched and tempered in the same way because of the high impact forces occurring during the impact test. The Rockwell hardness of the impact surface should be 54 HRC to 56 HRC (as specified in EN 10109-1).

The force should be applied to the pestle at one point. For this, the contact point of the pestle should be spherical. The cylindrical part of the pestle provides the necessary guidance in the mortar.

Two turnbuckles connect the contact pressure device and the pestle. The turnbuckles should be made of quenched and tempered steel 1C 45 (material number 1.0503) as specified in EN 10083-2.

It is possible to control the alignment between drop hammer, pestle and mortar by the vertical movement of the pestle as it is driven automatically into and out of the mortar. The correct position is reached when the pestle is driven centrally into the mortar, taking into account the play between pestle and mortar. When the pestle has reached its end position, no change in the play around the sides should be visible to the naked eye.

### B.4.3 Contact pressure and adjustable device

The  $(1\ 000 \pm 100)$  N friction fit of the pestle and specimen in the mortar should be maintained throughout the test procedure. As the specimen is increasingly compressed, the contact pressure is corrected by the drive motor so that the original contact pressure is maintained after each impact. The elastic contact pressure may be applied to the pestle, e.g. by means of six springs with a constant force of approximately 5 N/mm via a polyamide 66 centring ring, as specified in ISO 1874-1, enclosed by a steel ring.

For adjustment purposes, it is necessary that the pestle is held against the contact pressure flange initially with a force of 250 N. In the loading condition, a further 750 N should be applied, giving 8 mm more spring excursion during the impact procedure.

### B.5 Anvil

The anvil (see Figure B.7) should be cylindrical in shape. Its end face should be tapered to form a truncated cone. Its total mass is concentrated concentrically and uniformly in the impact direction. The end face should be flat and form the seat for the mortar. There should be bracing elements to brace the mortar on the anvil. The bracing elements should be adjustable to allow adjustment of the mortar on the anvil. Holes should be provided in the anvil to take the dampers. The anvil should be made of grade 250 grey cast iron as specified in ISO 185.

### B.6 Base plate and dampers

The base plate in Figure B.7, should be made of steel St 37-2 (material number 1.0037) as specified in EN 10025. The frame and anvil should stand vertically, separate from each other, on the same base (see Figure B.2). The frame should form a friction fit with the base. The base should be fastened by means of anchor bolts to a solid, flat and horizontal supporting surface. The static loading of the supporting surface resulting from the mass of the impact tester via the base is approximately 14 000 N. With a drop height of 400 mm, the short-time additional loading of the supporting surface is approximately 27 000 N. The "sinusoidal" loading lasts approximately 1 ms. Four dampers, as shown in Figure B.8, should be fitted between the base and the anvil.

Each damper should be capable of being loaded with at least 10 000 N.

NOTE Guideline value of range of:

- spring at maximum loading: 2,5 mm to 4,5 mm;
- oscillation frequency at maximum loading:  $500\ \text{min}^{-1}$  to  $600\ \text{min}^{-1}$ ;
- rubber quality: natural rubber mixture of 60 IRHD to 80 IRHD hardness as specified in ISO 48;
- dimensional tolerances: class M4 as specified in ISO 3302.

Anvil, dampers and base should be connected by means of screw bolts. The dampers enable the anvil to be adjusted, form a specific base and act as silencers against the supporting surface.

**B.7 Safety requirements and testing**

**B.7.1** The drop hammer should be secured by means of a suspension device against unintentional release when the mortar is being inserted or removed from the impact tester.

**B.7.2** Protection should be provided against reaching into the danger area of the drop hammer during operation. This can be provided, for example, by a moveable screen which is locked in position during operation.

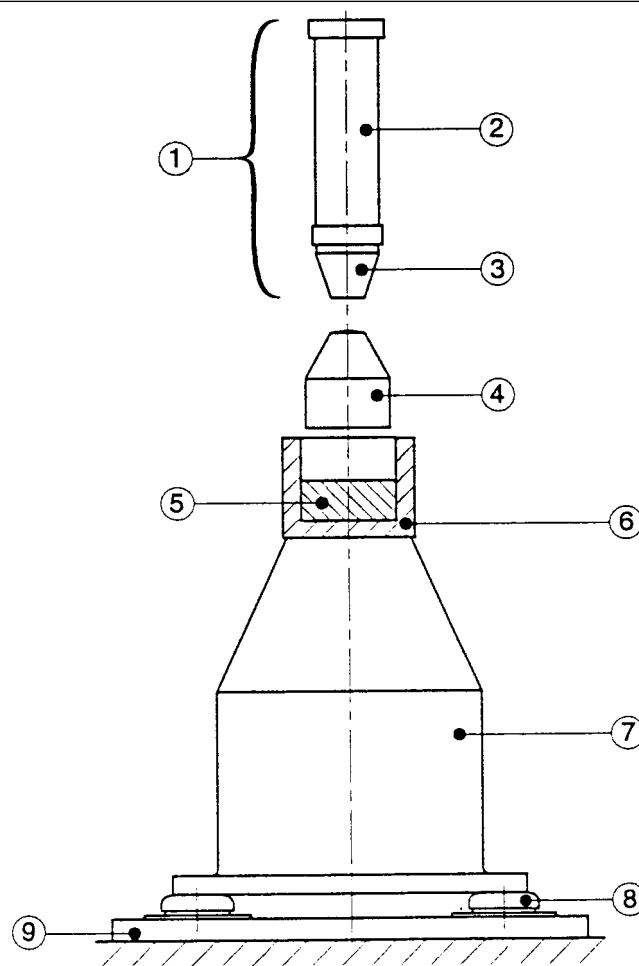
The safety requirements given in **B.7.1** and **B.7.2** should be fully tested by visual examination.

**B.7.3** The necessary silencing measures should be taken during the operation of the impact test, e.g. soundproofed room, soundproofing jacket.

NOTE See also Unfallverhütungsvorschrift "Lärm" (VBG 121) (Accident Prevention Regulation "Noise").

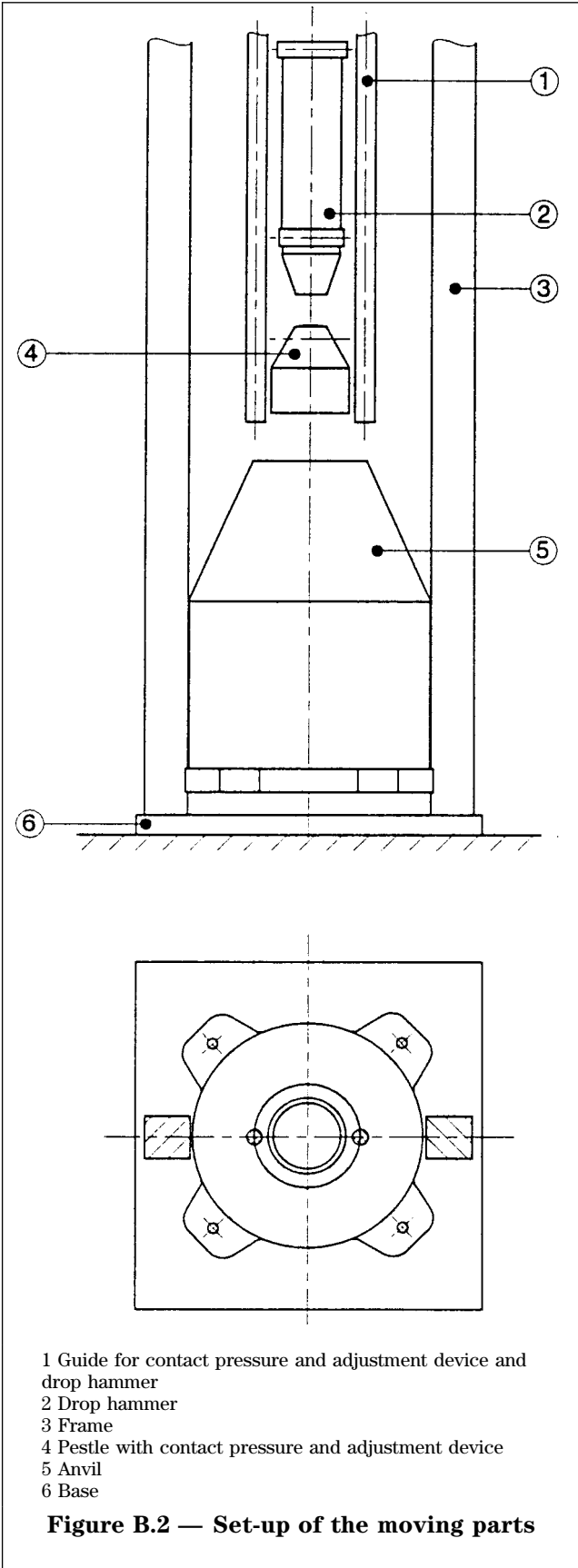
**B.8 Checking of impact tester**

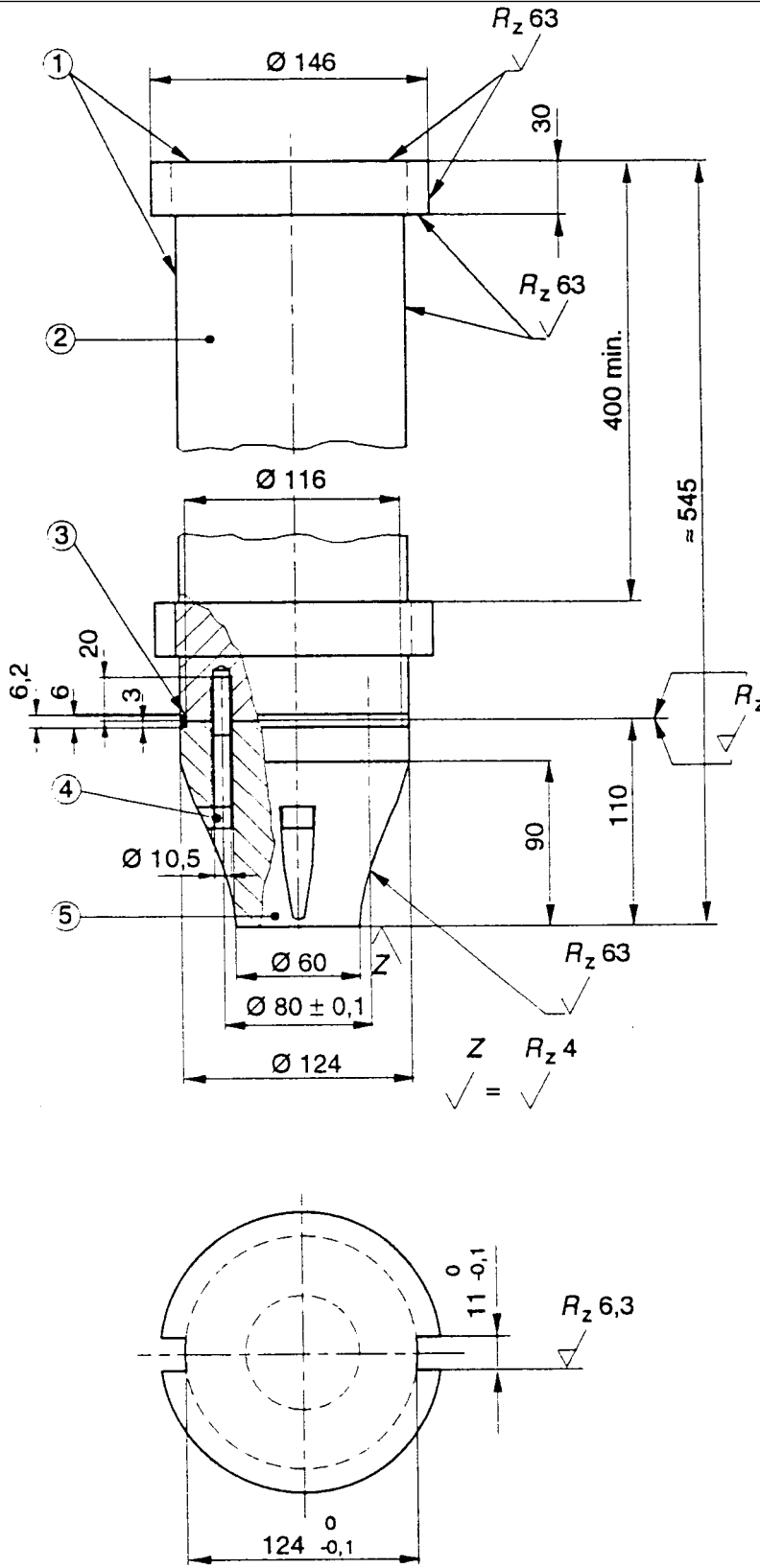
After setting up the impact tester, it should be subjected to an acceptance test as specified in annex C by a independent institution. This test should be repeated every two years.



- 1 Drop hammer
- 2 Shaft
- 3 Head
- 4 Pestle
- 5 Specimen
- 6 Mortar
- 7 Anvil
- 8 Damper
- 9 Base

**Figure B.1 — Diagrammatic representation of impact tester**



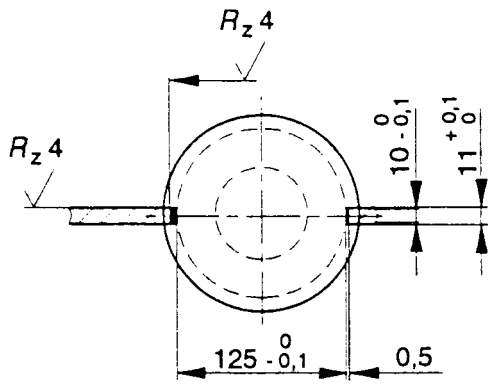
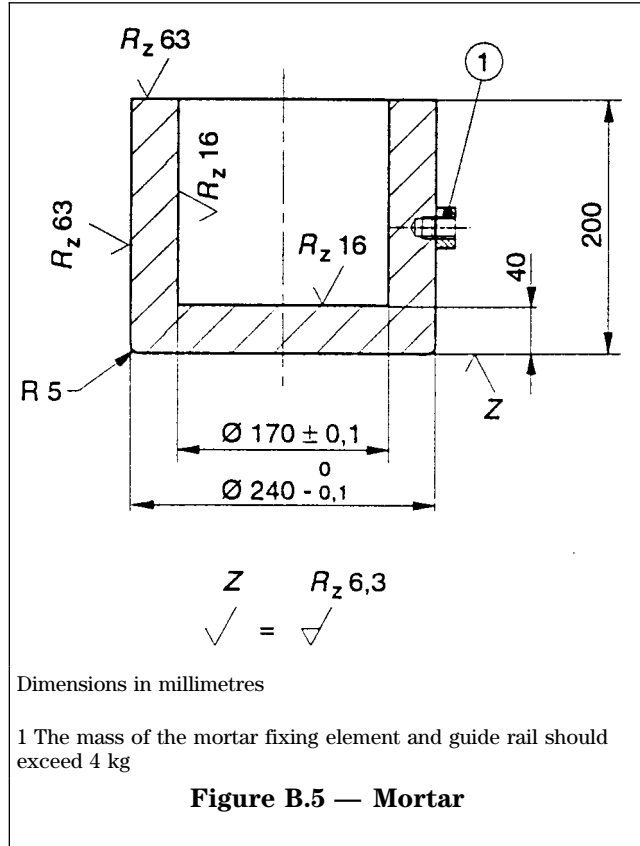
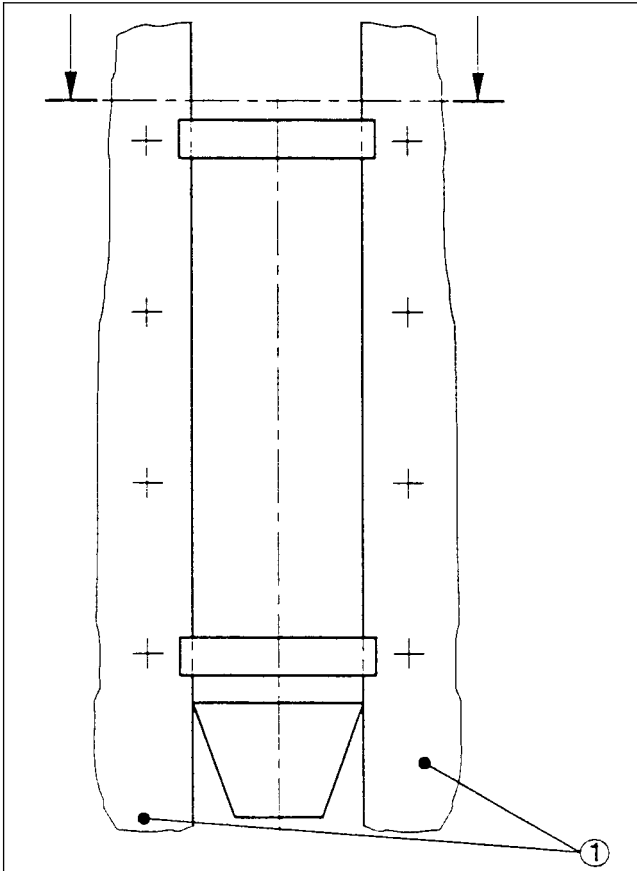


Dimensions in millimetres

- 1 Length and diameter matched to a total mass (including suspension device) of  $50 \pm 0,1$  kg
- 2 Shaft
- 3 Centring ring

- 4 Hexagon socket head cap screws conforming to product grade A of ISO 4762
- 5 Head

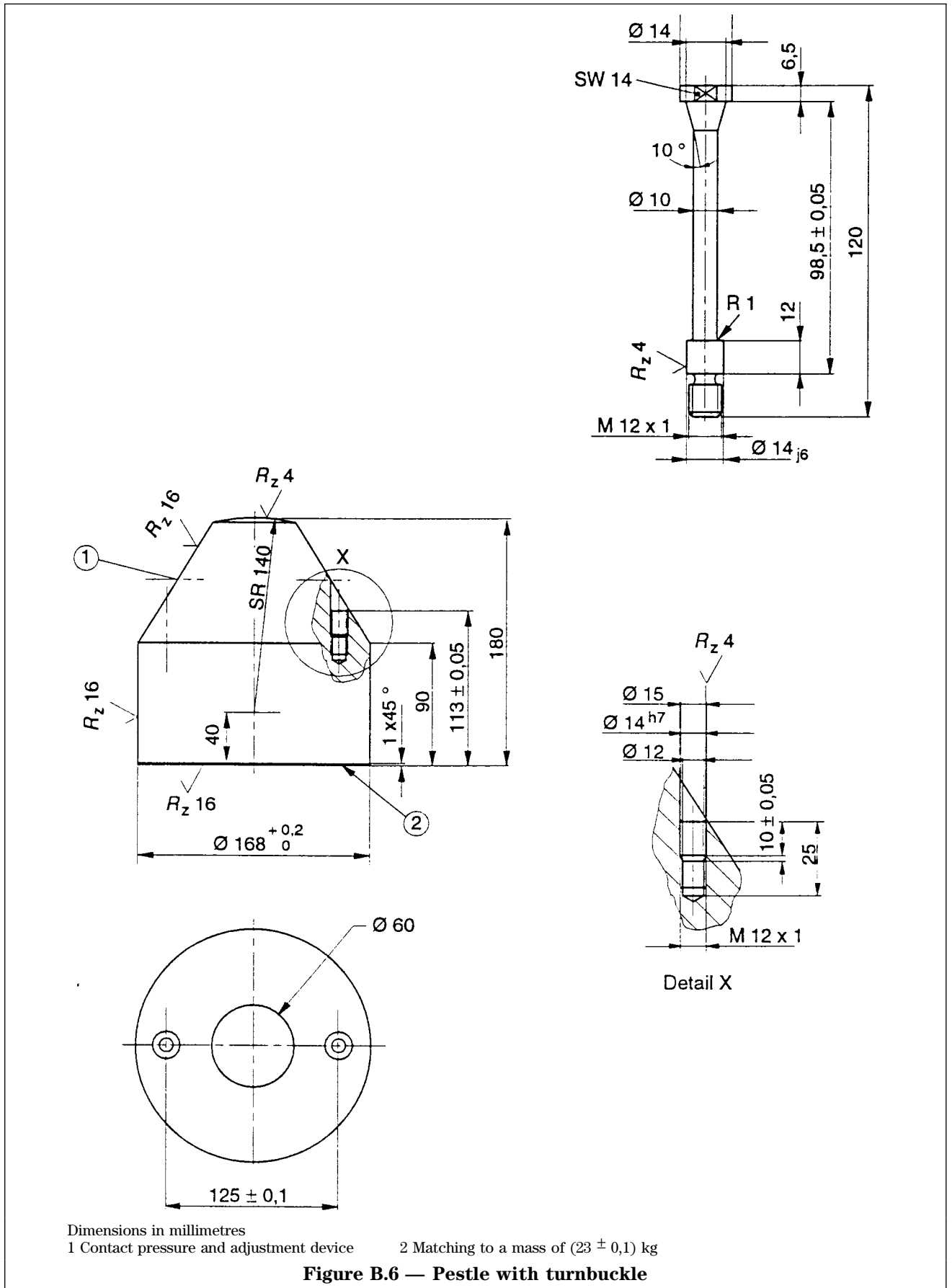
Figure B.3 — Drop hammer



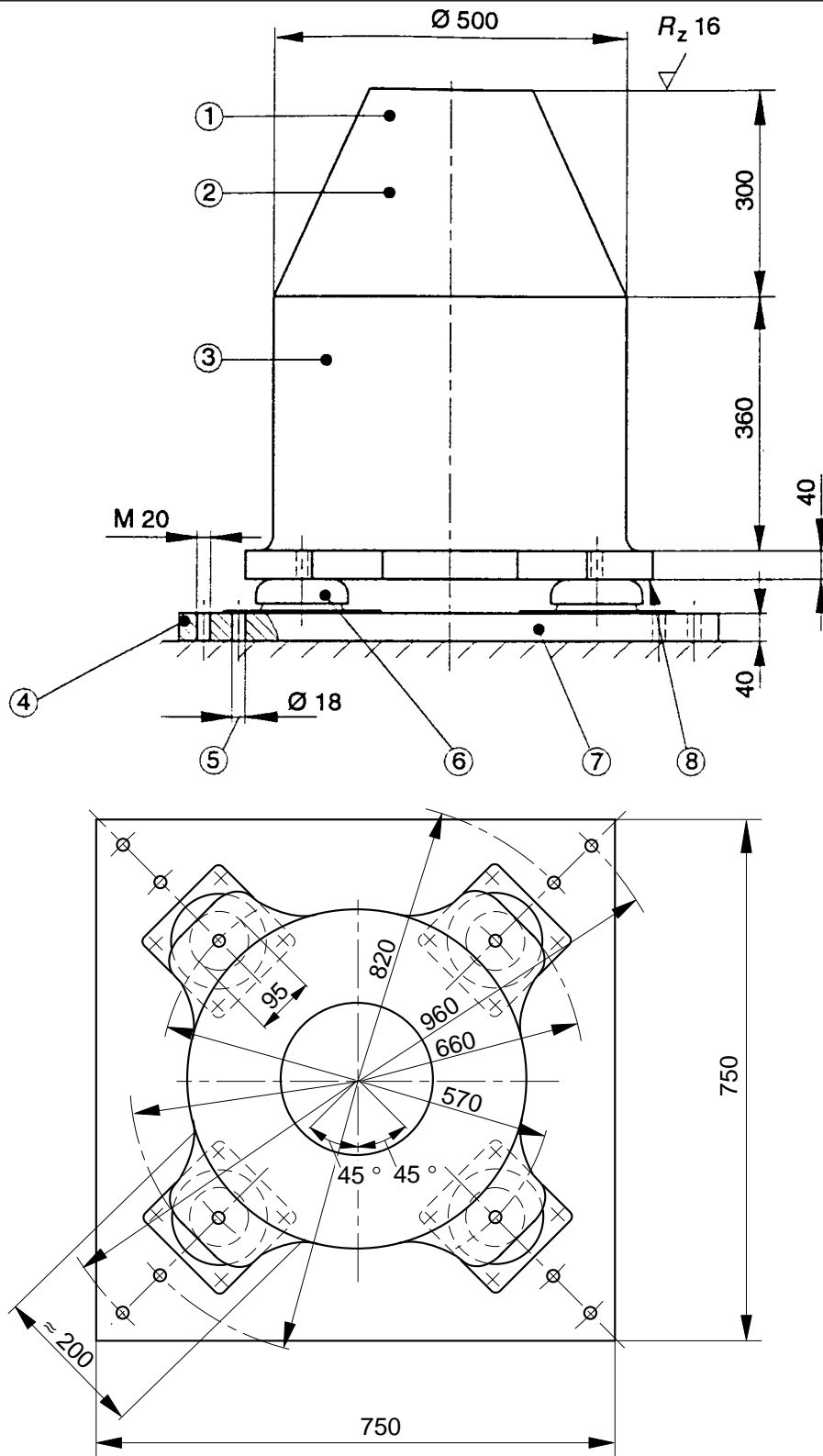
Dimensions in millimetres

1 Replaceable guide rail

**Figure B.4 — Guide rails**



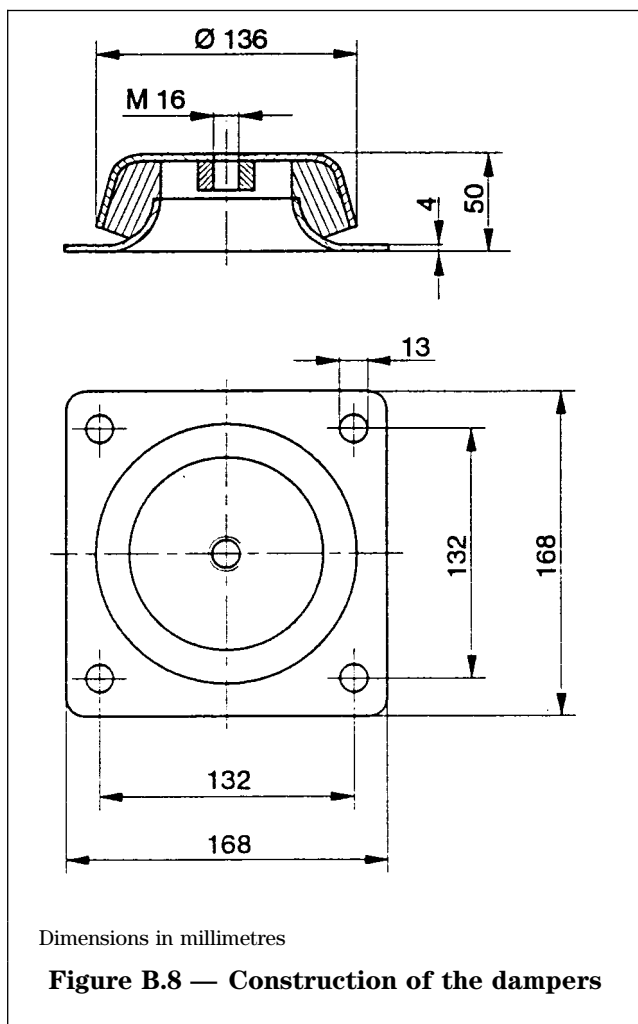




Dimensions in millimetres

- |                              |                                |                              |
|------------------------------|--------------------------------|------------------------------|
| 1 Anvil                      | 2 Mass approximately 800 kg    | 3 ISO 8-62 — CT 11 tolerance |
| 4 Thread for adjusting screw | 5 Through hole for anchor bolt | 6 Damper                     |
| 7 Base plate                 | 8 Support                      |                              |

**Figure B.7 — Anvil with base plate and dampers**



## Annex C (informative)

### Checking of the impact tester

#### C.1 Scope and field of application

Testing of the impact tester as described in B.8 is necessary to obtain reproducible impact conditions for all impact testers.

This test establishes whether impact testers as specified in annex B meet the requirements of, and are applicable for, the impact test described in this standard.

#### C.2 Checklist

Checking covers the following items:

- ensuring the vertical set-up and guide play between pestle and mortar;
- determining the hardness of the hammer head, pestle, mortar and anvil;
- surface condition;
- condition of the bolts with waisted shank;
- pestle pressure device;
- drop height constancy;
- determination of impact effect.

### C.3 Apparatus and test agents

**C.3.1** Spirit level, accurate to within 0,2 mm/m.

**C.3.2** Test device for determining impact effect, consisting of:

- sensor;
- transducer; and
- indicator.

The sensor consists of a quartz-crystal transducer with a maximum capacity of 1 100 kN. Figure C.1 shows an example of the sensor set-up.

In order to transform the measured values, the measured signals are amplified and input into a pulse analyser. This consists of a digital counter for recording the pulse duration, a peak voltage recorder for determining the maximum amplitude and an integrating amplifier for determining the pulse magnitude (for example of test set-up, see Figure C.2). The apparatus error should not exceed  $\pm 1\%$ .

To show the measured values, the three individual signals are, for example, printed out via an analogue/digital transformer. The force/time relation is shown as a voltage/time curve on a storage oscillograph and may be kept in photographic form.

**C.3.3** Apparatus for non-destructive determination of Rockwell hardness.

**C.3.4** Steel straight-edge, at least 200 mm long.

**C.3.5** Standard surface, for producing a reference print.

**C.3.6** Torque wrench.

**C.3.7** Measuring rods, 398 mm and 402 mm long.

### C.4 Procedure

#### C.4.1 Verification of vertical set-up and guide play between pestle and mortar

The vertical set-up is verified by means of the spirit level and the centric, friction-free entry of the pestle into the mortar.

#### C.4.2 Determination of hardness of hammer head, pestle, mortar and anvil

During the acceptance test of the impact tester, it should be checked whether:

- the impact surface of the head in the middle and towards the margin;
- the impact surface of the pestle; and
- the basal surface of the mortar;

have a Rockwell hardness of 54 HRC to 56 HRC (as specified in EN 10109-1).

In the re-test, the Rockwell hardness should still be at least 54 HRC.

When the tester has been set up for the first time, the Rockwell hardness of the inner surface of the mortar and the end face of the anvil should also be measured.

### C.4.3 Testing the surface

**C.4.3.1** A straight-edge covering the whole surface to be tested should be used to check whether the basal surface of the mortar and the end face of the anvil are flat.

To test for the required surface quality, a light source should be used to establish that no, or very little, light appears between the straight-edge and workpiece and, if the latter is the case, that it is distributed over the whole measuring area.

**C.4.3.2** The contact areas between hammer head and shaft determined by means of an ink mark after bracing and impact stressing should be compared with a reference mark to see whether the contact is over more than 80 % of the area.

**C.4.3.3** A visual comparison with standard surfaces should be made to check whether the hammer head and shaft contact surface, the basal surface of the mortar and the anvil end face meet the requirements contained in Figures B.3, B.5 and B.7.

### C.4.4 Testing of bolts with waisted shanks

A torque wrench should be used to check that the prebracing of the bolts with waisted shanks for connecting hammer head and shaft is 67 N·m.

### C.4.5 Testing of contact pressure device

It should be checked that the spring force of the contact pressure device is  $(1\,000 \pm 100)$  N. The test device for determining the impact effect (see C.3.2) may be used for this purpose.

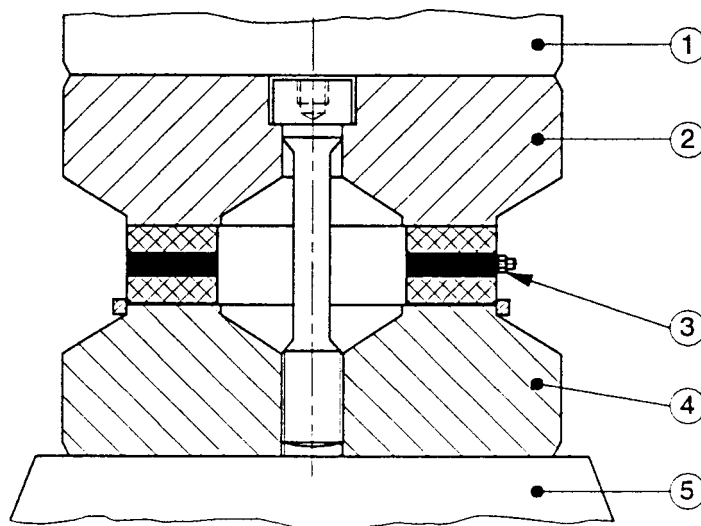
### C.4.6 Testing of drop height constancy

Measuring rods should be used to check that the drop height of 400 mm is maintained to within 2,0 mm.

### C.4.7 Determination of impact effect

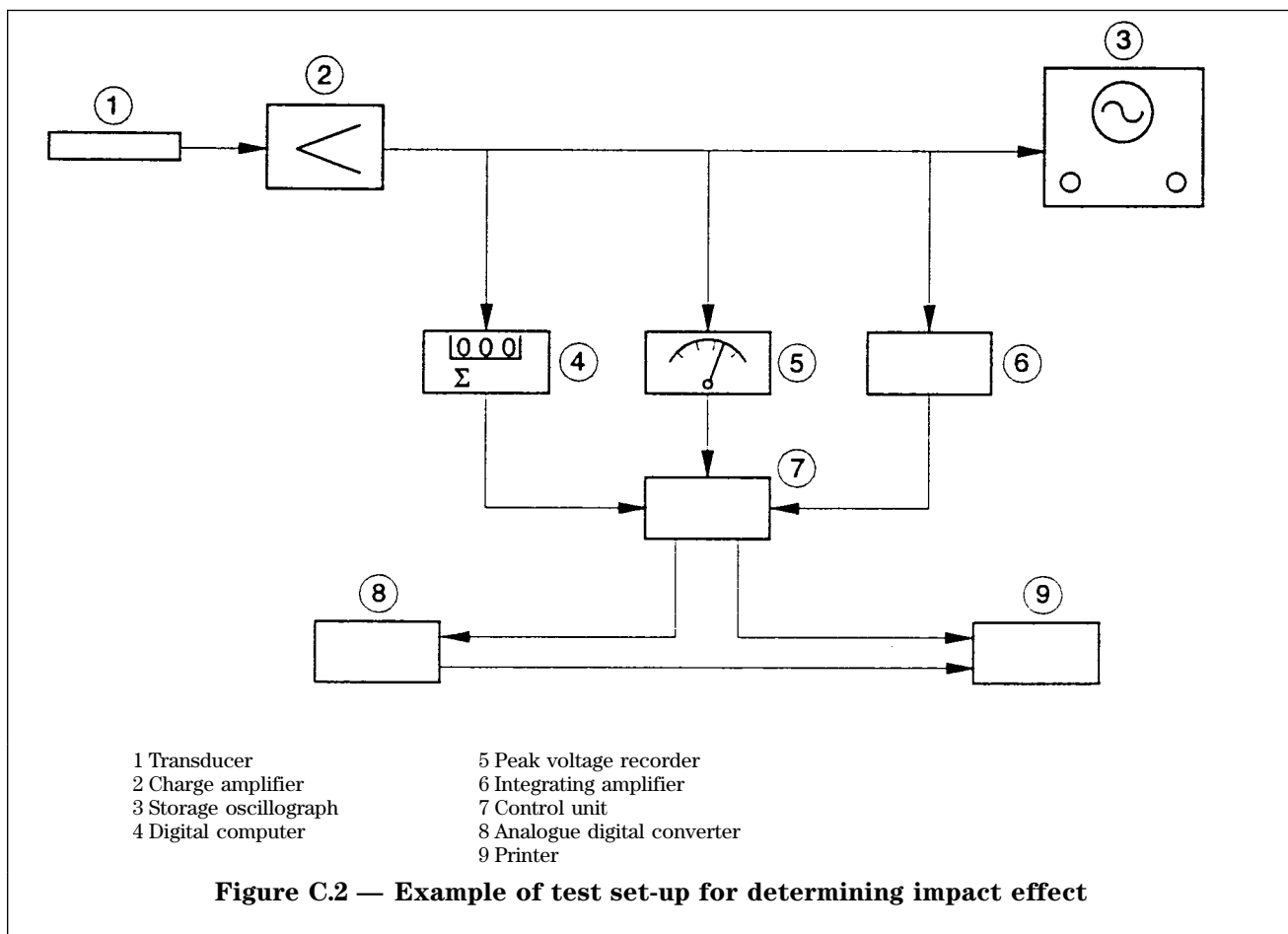
Ten impacts from a drop height of 400 mm should be carried out and the impact force, pulse and pulse duration should be measured. It should be checked whether the arithmetic means of these variables lie within the ranges given in B.2.

Similarly, the arithmetic means of the impact force, pulse and pulse duration from 10 impacts from drop heights of 200 mm and 300 mm should be determined and recorded.



- 1 Pestle
- 2 Top half of clamp
- 3 Transducer (quartz disk)
- 4 Bottom half of clamp
- 5 Anvil

**Figure C.1 — Sensor fitted between pestle and anvil for determining the force/time relationship during impact**



## Annex D (informative)

### Precision

#### D.1 General

The results given in D.2 and D.3 were interpreted in accordance with ISO 5725-2:1994.

#### D.2 Los Angeles test

Repeatability  $r_1$  and reproducibility  $R_1$  have been determined by a European cross testing programme carried out on three levels of Los Angeles coefficients ( $LA$ ) ranging from 8 to 37 by 28 laboratories as follows:

- repeatability  $r_1 = 0,06 X$
- reproducibility  $R_1 = 0,17 X$

where  $X$  represents the  $LA$  coefficient.

#### D.3 Impact test

The repeatability  $r_1$  and reproducibility  $R_1$  have been determined by a European cross testing programme carried out by 16 laboratories on the same three levels as the Los Angeles test. Their impact values ( $SZ$ ) ranged from 11,0 to 27,7 resulting in the following precision:

- repeatability  $r_1 = 0,350 + 0,0129 X$
- reproducibility  $R_1 = 0,106 X$

where  $X$  represents the  $SZ$  value.

## Annex E (informative)

### Worked example of calculation of impact value $SZ$

Test sieve Punched holes/wire cloth Openings mm	Original mass: 1 350,0 g		
	Mass retained		Mass passing
	g	%	%
8	721,5	53,5	46,5
5	304,5	22,6	23,9
2	181,0	13,4	10,5
0,63	86,0	6,4	4,1
0,2	30,0	2,2	1,9
Pan	26,0	1,9	—
Sum	1 349,0	100,0	86,9

$$\text{Impact value } SZ_{8/12} = M/5 = \frac{\text{Sum of passing}}{5}$$

$$SZ_{8/12} = M/5 = \frac{86,9\%}{5} = 17,38\%$$

## Annex F (informative)

### Bibliography

#### F.1 European standards

EN 10025:1990, *Specification for hot rolled products of non-alloy structural steels. Technical delivery conditions.*

EN 10083-2:1991, *Quenched and tempered steels — Part 2: Technical delivery conditions for unalloyed quality steels.*

EN 10109-1:1994, *Metallic minerals — Hardness test — Part 1: Rockwell test (scales A, B, C, D, E, F, G, H, K) and Rockwell superficial tests (scales 15 N, 30 N, 45 N 15 T, 30 T and 45 T).*

#### F.2 ISO standards

ISO 48:1994, *Rubber, vulcanized or thermoplastic — Determination of hardness (hardness between 10 IRHD and 100 IRHD).*

ISO 185:1988, *Grey cast iron — Classification.*

ISO 683-11: 1987, *Heat-treatable steels, alloy steels and free cutting steels — Part 11: Wrought case hardening steels.*

ISO 1874-1:1992, *Plastics — Polyamide (PA) moulding and extrusion materials — Part 1: Designation.*

ISO 2768-1:1989, *General tolerances — Part 1: Tolerances for linear and angular dimensions without individual tolerance applications.*

ISO 2768-2:1989, *General tolerances — Part 2: Geometrical tolerances for features without individual tolerance applications.*

ISO 3302:1990, *Rubber — Dimensional tolerances for use with products.*

ISO 4762:1989, *Hexagon socket head cap screws — Product grade A.*

ISO 4957:1980, *Tool steels.*

ISO 5725-2:1994, *Accuracy (trueness and precision) of measurement methods and results — Basic method for the determination of repeatability and reproducibility of a standard measurement method.*

ISO 8062:1994, *Castings — System of dimensional tolerances and machining allowances.*

#### F.3 National standards

AFNOR P 18-573, *Aggregates — Los Angeles test* (1990 edition).

ASTM C 131, *Resistance to abrasion of small size coarse aggregate by use of the Los Angeles machine* (1989 edition).

DIN 52115 — Part 1, *Determination of impact resistance of mineral aggregates; impact testing machine* (1988 edition).

DIN 52115 — Part 3, *Determination of impact resistance of mineral aggregates; testing of particles 8 to 12,5 mm nominal size* (1988 edition).

ONORM B 3128, *Testing of natural stone and inorganic building materials. Testing of aggregates by use of the Los Angeles machine* (1986 edition).

SN 670 835a, *Mineral aggregates — Los Angeles test* (1991 edition).

UNI 8520 (Part 19a), *Aggregates for use in concrete — Determination of weight loss of coarse aggregates* (1984 edition).

#### F.4 ISO drafts

ISO/TC 71/SC 3/WG 1 N 446, *Third working draft, Aggregates for concrete — Determination of abrasion in a Los Angeles machine.*



---

# BSI — British Standards Institution

BSI is the independent national body responsible for preparing British Standards. It presents the UK view on standards in Europe and at the international level. It is incorporated by Royal Charter.

## Revisions

British Standards are updated by amendment or revision. Users of British Standards should make sure that they possess the latest amendments or editions.

It is the constant aim of BSI to improve the quality of our products and services. We would be grateful if anyone finding an inaccuracy or ambiguity while using this British Standard would inform the Secretary of the technical committee responsible, the identity of which can be found on the inside front cover. Tel: 020 8996 9000. Fax: 020 8996 7400.

BSI offers members an individual updating service called PLUS which ensures that subscribers automatically receive the latest editions of standards.

## Buying standards

Orders for all BSI, international and foreign standards publications should be addressed to Customer Services. Tel: 020 8996 9001. Fax: 020 8996 7001.

In response to orders for international standards, it is BSI policy to supply the BSI implementation of those that have been published as British Standards, unless otherwise requested.

## Information on standards

BSI provides a wide range of information on national, European and international standards through its Library and its Technical Help to Exporters Service. Various BSI electronic information services are also available which give details on all its products and services. Contact the Information Centre. Tel: 020 8996 7111. Fax: 020 8996 7048.

Subscribing members of BSI are kept up to date with standards developments and receive substantial discounts on the purchase price of standards. For details of these and other benefits contact Membership Administration. Tel: 020 8996 7002. Fax: 020 8996 7001.

## Copyright

Copyright subsists in all BSI publications. BSI also holds the copyright, in the UK, of the publications of the international standardization bodies. Except as permitted under the Copyright, Designs and Patents Act 1988 no extract may be reproduced, stored in a retrieval system or transmitted in any form or by any means – electronic, photocopying, recording or otherwise – without prior written permission from BSI.

This does not preclude the free use, in the course of implementing the standard, of necessary details such as symbols, and size, type or grade designations. If these details are to be used for any other purpose than implementation then the prior written permission of BSI must be obtained.

If permission is granted, the terms may include royalty payments or a licensing agreement. Details and advice can be obtained from the Copyright Manager. Tel: 020 8996 7070.